

we like V 8 ...

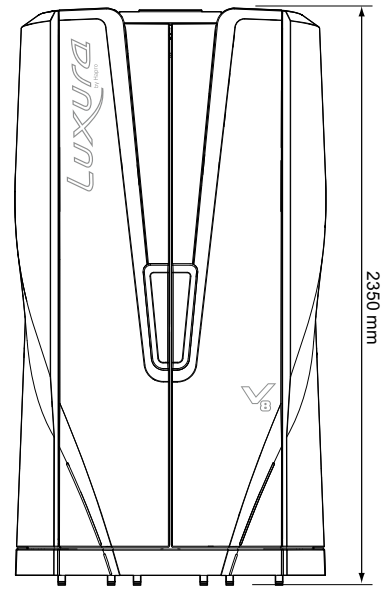
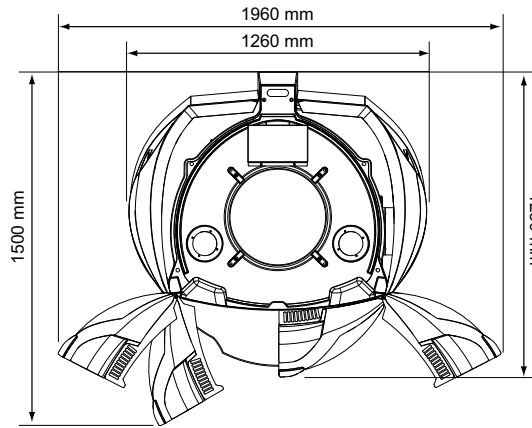




Crystal White

Rose Pink

Uptown Blue



Luxura V ₈	48 XL High Intensive	48 XL Balance*
Tubes	48 x 180W XL Ecopower	48 x 200W XL Premium Ultra E-power
Connection	400V/3N~/PE/50Hz	400V/3N~/PE/50Hz
Power	8,2 kW	8,5kW
Fuses	3 x 16 A	3 x 20 A
Weight	167 kg	167 kg

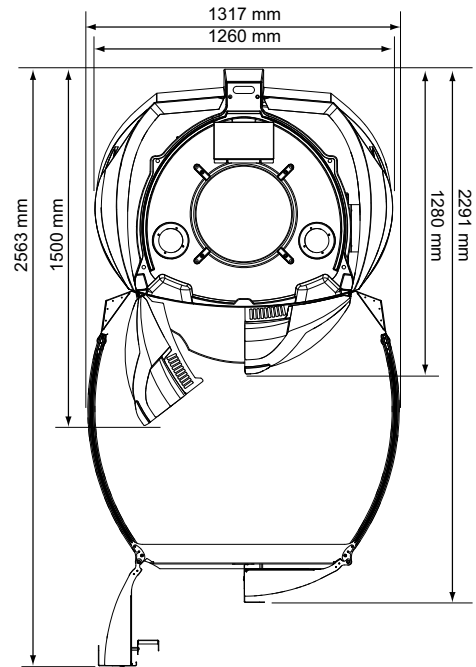
Not for EU.
Technical modifications reserved.

Luxura V ₈	48 XL Hybrid	48 XL Balance
Tubes	Premium Intelligent E-Power 100/200W (36 blue+12red)	48 x 180W XL Premium Balance E-power
Connection	400V/3N~/PE/50Hz	400V/3N~/PE/50Hz
Power	10,5 kW	8,5kW
Fuses	3 x 20 A	3 x 16 A
Weight	167 kg	167 kg

Luxura V ₈	48 XL Intelligent
Tubes	48 x 100/200W XL Premium Intelligent E-Power
Connection	400V/3N~/PE/50Hz
Power	10,5 kW
Fuses	3 x 20 A
Weight	167 kg

we like clever solutions

An additional clever option on this vertical tanning bed is the changing room. Attached to the V₈ it instantly creates a solid stand alone tanning unit just about everywhere!



features

standard

- XL light EcoPower
- Ambient FlowLight for doors, eyeliners and floor
- Ambient FlowLight panel incl. smart touch control
- Digital timer
- 3 steps adjustable body cooler
- Standby inside lighting
- Eco Power¹
- Dust filters
- Internal timer
- Connection for external timer
- 1 hour counter non-resetable
- 1 hour counter resetable

optional

- Wooden handle
- Xsens²
- Qsens
- Loudspeakers
- My MP3³
- SoundAround Plus⁴
- Changing room
- Glamour Edition

¹ The electronic ballasts that save 15% energy use!

² Only in combination with Qsens

³ Including MP3/smartphone connection, 1 external music channel and 2 loudspeakers.

⁴ Including MP3/smartphone connection, Bluetooth, SmartVoice, 4 external music channels, 2 loudspeakers, subwoofer and SD cards for 2 internal music channels (relax music, energetic music or program your own music).

easy maintenance

Maintenance and service can be carried out easily.



By removing the Ambient FlowLight panel inside the V₈ you have access to all electronic components.



1] On the outside, dust filters are cleaned and replaced quickly. In addition, **2]** the Qsens jerrycan and **3]** Xsens cartridge are placed outside the vertical tanning bed in a secured unit for quick replacement.

Xsens en Qsens are optional features



The acrylics are simple to remove as well, thanks to the unique aluminium click system for easy maintenance like cleaning acrylics or replacing tubes.